

## IPadSX PRODUCT BULLETIN KITCHEN DISPLAY CONTROLLER UNIT



### IPadSX : KITCHEN DISPLAY SYSTEM

The IPadSX Controller is the newest in the IPad controller series offering an economical kitchen video solution with even greater processing speed, flexible configurations, readily available software, quick & reliable installation, plus maintenance-free operation, all in a simplified integrated KDS design.

This compact unit is simple to install with no jumpers or internal settings. Using only the configuration menu, select your preferred vendor built-in KDS software application, then plug in a VGA monitor, power cord, RS232C or Ethernet link, and your hardware is up and running. Connect as many IPadSX units as required to your Ethernet network.

A 9x2 key bump bar is integrated right into the IPadSX. If you prefer to mount the IPadSX Controller Unit out of sight, our TouchBar Bump bar Unit is a hands-down winner. This add-on device provides a touch sensing 8x2 keypad to operate with the IPadSX Controller Unit as a secondary or remote bump bar.

The IPadSX Controller Unit provides 100% backward compatible software migration for all vendor applications currently running with the SEC IPad and OAsys KDS products. Whether you prefer a third party software application or our CHEF Hospitality Suite package, our revolutionary embedded Graphics Engine technology accents the exceptional flexibility the IPadSX has to offer for all software applications.

Any time a software update is required, the built-in USB port makes updates simple and quick.

*With the IPadSX, you can have... powerful processing, flexible configurations, a wide selection of readily available software, quick & reliable installation or upgrade, maintenance-free operation, a hassle-free integrated KDS design ...plus the lowest price KDS available anywhere!*

#### PROCESSOR

- 486SX-300MHz CPU Intel compatible processor
- AMI system BIOS
- DOS operating system (standard)
- Supports Linux or Windows XPe / CE (optional)
- 4MB program memory (optional scalable memory module)
- Programmable watchdog self-reset timer

#### PORTS

- Direct connect 115K baud RS232C (COM1 & COM2)
- 10/100 Mb UDP/TCP Ethernet link
- USB 2.0 Port
- 800x600 SVGA, 64K colors text and graphics
- 32 station video port expansion with additional IPadSX units
- Integrated keypad with 9x2 membrane key entry switches
- Optional TouchBar bump bar attaches directly to IPadSX unit
- High volume audio speaker, programmable sounds and alerts

#### RELIABILITY

- Shock tested with 10 drops at 5 feet onto solid concrete
- Requires no host PC to operate
- Built-in MTBF counter
- Universal switching power supply
- Rugged rust-free stainless steel enclosure
- Easy redundancy configurations
- Fault tolerance programming modes
- 1 year parts & labor warranty

#### INSTALLATION & SUPPORT

- 100% plug-n-play, no jumpers or switches
- Unlimited Customer Support Included (Phone/Internet)
- All-in-one, 1 part to order, 1 part to stock. No kits required
- Easy installation provided via automated software setup screens
- Universal position stainless steel mounting bracket
- Cable shroud option for rigid cable clamp down.
- Uses all standard cables and connections
- Built-in on-demand diagnostics, status, and help functions
- PC/AT keyboard port with Mini Din and external connector used to program & troubleshoot (Not required for standard operation)
- Dimensions 9.25"L x 3.5"W x 1.25"H

#### CERTIFICATIONS

- International product certification (FCC, CE standards)
- TUV Listed
- RoHS Compliant

#### KDS SOFTWARE

- Compatible with existing IPad and OAsys software
- SEC Dashboard, Maintenance, & Register Emulator software
- Third party applications from many POS software vendors
- Graphics Engine enables vendors to implement custom design
- SEC CHEF KDS suite application software available.

## Installation Instructions

- 1) Plug in monitor power cords into AC outlet and apply power to each monitor.
- 2) Connect the monitor signal cable to the VGA port on the IPadSX Unit and secure connector screws on the VGA connector to the IPadSX Port.
- 3) Plug in IPADSX Unit power supply to AC outlet. NOTE: If properly installed, the green power LED should illuminate on the IPadSX when power is applied and monitor should display startup screen.
- 4) For normal operation, the video monitor will report when the IPadSX KDS start-up is ready. From the IPadSX keys, press the FUNC key to switch to the menu. At this menu, you can test the bump bar, display set up configuration, and monitor network activity. Instructions for menu operation are supplied on the menu screen. To resume to normal screen mode, press ESC key.
- 5) Depending on which communications method your system requires (Ethernet or RS232C), cable as shown in the diagram below.

### Ethernet Cable

- a) Insert the RJ-45 connector into the Ethernet jack on the IPadSX Unit.
  - b) Insert other end of CAT-5 cable into 10BASET Hub.
- NOTE: The green LED on the IPadSX next to the Ethernet port will remain lit to indicate network integrity.

### RS232C Cable (Not Included)

- a) Insert the RJ-45 connector into the RS232C COM1 jack on the IPadSX Unit.
  - b) Insert other end of CAT-5 cable into DB9-RJ45 adapter (not included)
  - c) DB9 can be attached to any host RS232 port for single point-to-point communications from one IPadSX to one Host PC serial port. Maximum cable distance for RS232C is limited to 50 feet.
- 6) Once all devices are confirmed to be powered on and operational, the PC (POS) can be powered on and the KDS software can be installed to ensure proper communications with each IPadSX. Refer to the KDS Software documentation for proper software installation, configuration, and operation of the KDS application.



## IPadSX

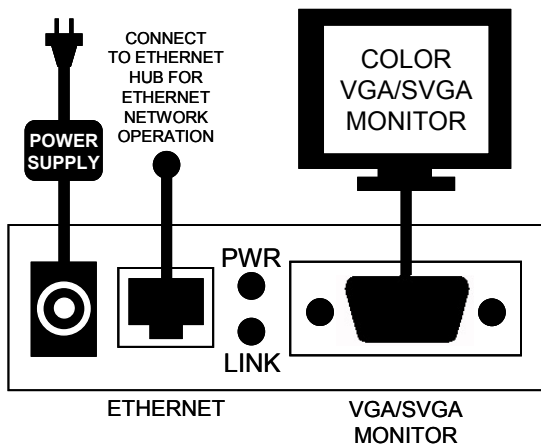
### Standard IPadSX Kit Contents:

- One (1) IPadSX Kitchen Controller
- One (1) Universal Power Adapter
- One (1) CAT-5 Ethernet Cable
- One (1) Analog VGA Cable

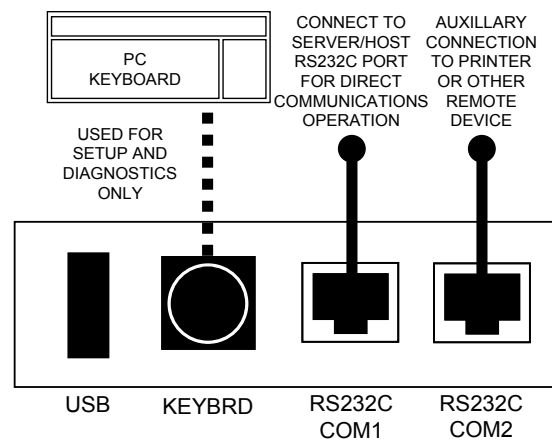
### Required for Installation:

- IPadSX Kit Components
- POS Terminal, Computer, or ECR (with Ethernet Port or RS232C Port)
- VGA/SVGA Monitor
- AC Power Outlet Source
- Mounting Hardware (optional)

Note: Mounting methods vary and are not described in this manual. Also, configuration of desired operation mode and other software setup requirements are beyond the scope of this document. Refer to separate software installation manual instructions.



Left Side View



Right Side View

## IMPORTANT SAFETY PRECAUTIONS – READ CAREFULLY

### General

- When using electronic equipment, safety precautions should always be observed to reduce the risk of equipment damage, fire, electric shock and personal injury.
- While installation is taking place, alert workers and personal on-site to avoid accidental injury to themselves, installation crew, and damage to the equipment.

### Warning Labels

- Observe all warnings marked on each product component.

### Exposure to Liquids

- Unplug this product from the wall outlet before cleaning.
- Do not use liquid cleaners or aerosol cleaners. Use a damp cloth for cleaning.
- Never allow liquids of any kind to reside inside or make contact with enclosed internal product components.
- Do not use this product near water, for example, near a tub, wash bowl, kitchen sink, or laundry tub, in a wet basement, or near a swimming pool.

### Ventilation

- This product requires proper ventilation for operation. This product should never be placed near or over a radiator or heat register.
- DO NOT mount this equipment where ambient temperatures exceed 90 degrees F.

### AC Power

- This product should be operated only from the type of power source indicated on the marking label. If you are not sure of the type of power supplied at your location, consult your dealer or local power company. If you are unable to insert the plug into the outlet, contact your electrician to replace your incompatible outlet. Do not defeat the safety purpose of the grounding type cord plug or the polarized AC cord plug supplied.
- To reduce risk of fire or electric shock, do not overload wall outlets or use extension AC cords.
- Do not allow anything to rest on the power cord.
- Do not locate this product where the cord will interfere in the work area.
- Do not locate this product where the cord may wear or stress in any manner.
- Never push objects of any kind into this product through cabinet slots as they may touch dangerous voltage points or short out parts that could result in a risk of fire or electric shock.

### Disassembly

- To reduce the risk of electric shock, do not disassemble product components labeled for AC power operation (i.e. power supplies) or components not specifically designated in these instructions for user access.
- Opening or removing covers may expose dangerous voltages. Service or repair work is performed at the service depot.

### Reassembly

- When required to dismantle system components, be sure that all mounting screws, washers, nuts, etc. are securely in place prior to operation of the kitchen system. These hardware components may be required to ensure reliable operation and compliance to radio emissions standards. Incorrectly reassembled products can cause electric shock when the equipment is subsequently powered on.

### Mounting

To avoid equipment damage or personal injury:

- DO NOT permanently install any of these product components on a portable cart, stand, or table
- DO NOT route equipment cables where normal usage of the desired area is impeded
- Ensure proper isolation from heat, chemicals, or liquids
- Mount equipment to shelves only where accidental contact will not cause falling,
- Tightly wrap and secure excess cable wires in an out-of-the-way place - such as under counters, or behind the monitor.
- DO NOT leave cable where it may accidentally drop onto food preparation areas, hot surfaces, or floors.
- Use appropriate fastener hardware to mount these devices to the surface material (wood, concrete, dry wall, metal, etc).
- Monitor brackets may require attachment to ceiling joists or structural beams that are not readily available at your site.
- Consult bracket manufacturer for accessory hardware designed specifically for support of the weight load of your monitor.
- When deciding on a mounting location, consider the surrounding work area conditions that may cause damage to the monitor.
- Install monitors where there is no risk of personal injury, or accidental contact.
- Prolonged physical contact with monitor brackets may cause structural weaknesses to develop, increasing the risk of falling.

### Product Failure

Unplug this product from the wall outlet and refer servicing to qualified service personnel under the following abnormal conditions:

- When the power cord is damaged or frayed.
- If the product is overheating, emitting noise, odors, smoke, or exhibit any physical changes.
- If the product has been exposed to liquids.
- If the product does not operate normally by following the operating instructions. Adjust only those controls that are covered by the operating instructions because improper adjustment of other controls may result in damage and will require extensive work by a qualified technician to restore the product to normal operation.
- If the product has been dropped or the cabinet has been damaged.
- If the product exhibits a distinct change in performance.

## **Product Limited Warranty**

Select Electronics Corporation (SEC) expressly warrants that for a period of one (1) year SEC IPadSX products and components will be free from defects in materials (parts), and workmanship (labor), and function within the specified operating parameters. Unless the IPadSX was purchased under a specific warranty provision, the standard warranty is for a period of one (1) year. This warranty covers purchases made from SEC, or its authorized dealers. SEC may, at its discretion, elect to replace any defective product with a directly compatible model or version, in lieu of repair.

To obtain warranty/repair service:

- 1) Access technical support at our web site:  
[www.selectelectronics.com](http://www.selectelectronics.com)
- 2) Follow the instructions for submitting a Return Merchandise Authorization (RMA) Request.
- 3) Upon receipt of an RMA number, deliver the defective product to SEC's designated repair center. Shipments made for repair service must include the assigned RMA number(s) on each package.
- 4) Repairs will normally require 15-30 days for return. UPS Ground Service provides return shipment, unless otherwise specified and paid for.

### **WARRANTY EXCLUSIONS**

This warranty does not apply to

- 1) failure caused by improper installation of this product or exposure to improper operating conditions
- 2) abuse, misuse, accident, or disaster affecting this product
- 3) products evident of any form of alteration or modification that was not authorized, in writing, directly by SEC, or
- 4) Products with missing or altered serial numbers.

The customer is responsible for insuring against shipment damage and loss, and thus assumes all risk for loss or damage in transit. Fulfillment of SEC's warranty obligation will be the customer's exclusive remedy and SEC's (and its dealer's) limit of liability for any breach of warranty or otherwise. This foregoing expressed warranty is made in lieu of any other product warranty, expressed or implied.